

Electric Concrete Form Vibrators

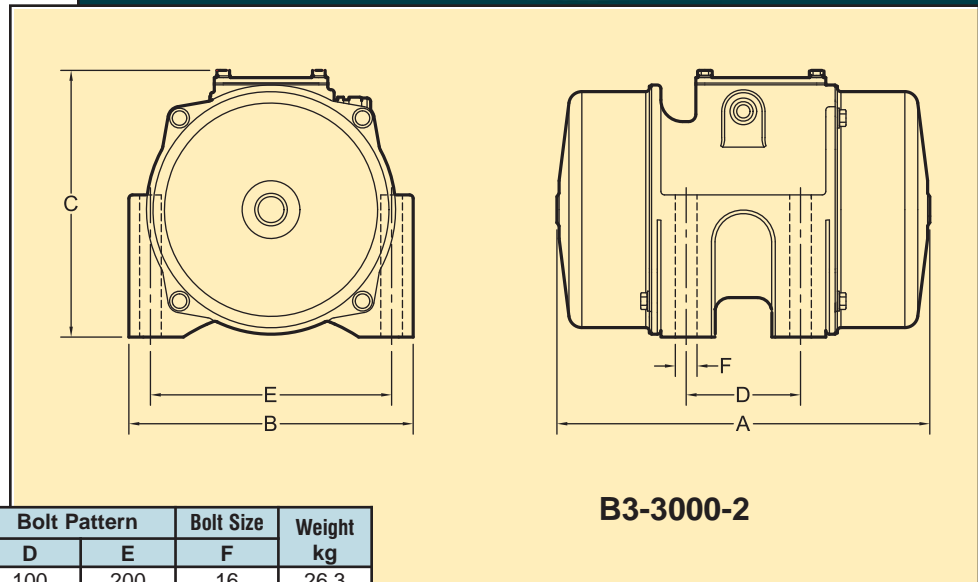
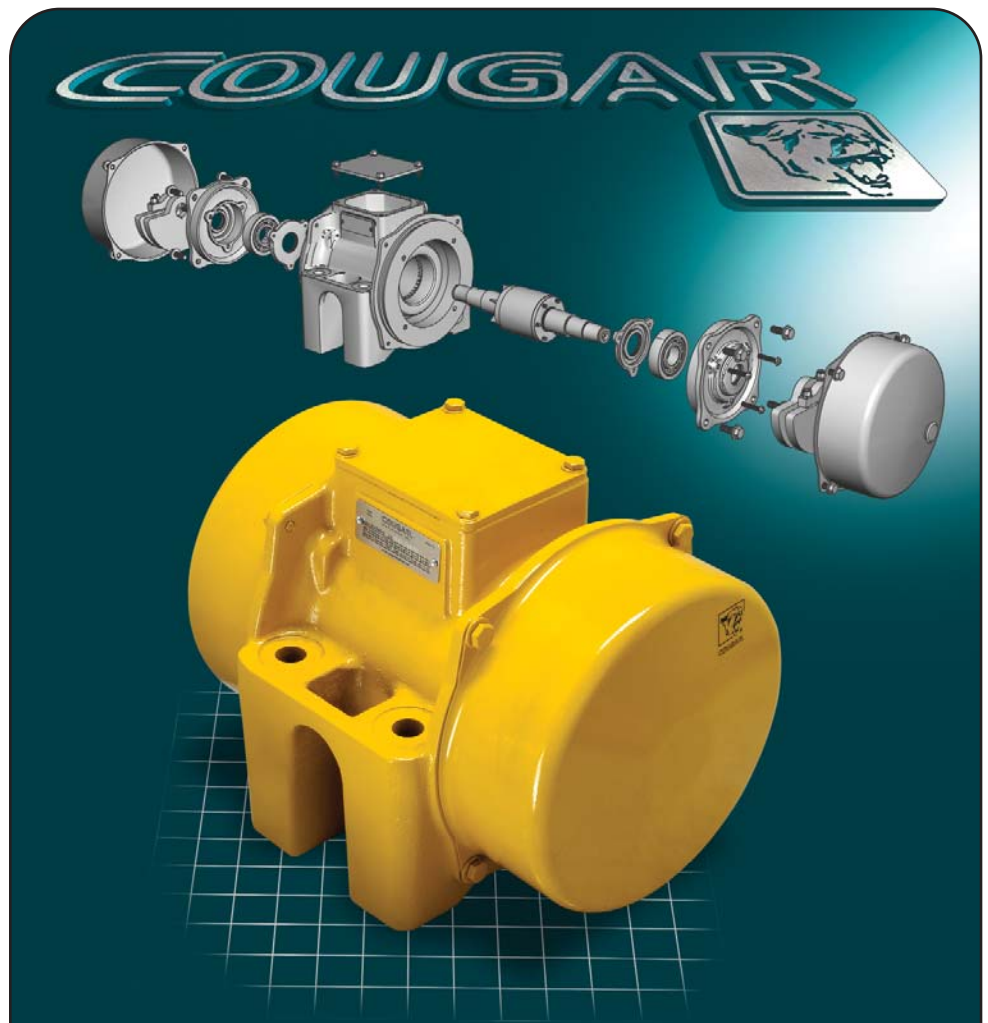
FEATURES:

- Interchanges with Bosch 18-120 & Iskco EVL-35
- 3000 Force lb – 3450 RPM
- 230/460 volt – 3 phase
- Ductile iron bearing housings
- High temperature class H windings
- Roller bearings designed for vibration
- Adjustable eccentrics 0-100%

Specify Cougar for:

- Cost effective solutions.
- Expert technical assistance.
- Complete service and support.

For the mounting and operation instructions on Electric Vibrators see our form 710



DIMENSIONS (Millimeter)

Model	A	B	C	Bolt Pattern		Bolt Size	Weight kg
				D	E	F	
B3-3000-2	329	249	235	100	200	16	26.3

PERFORMANCE DATA

Model	kg cm	RPM	Force (N)	Amps		watts
				190 Volt	380 Volt	
B3-3000-2	10.29	2875	9335	2.80	1.40	746



COUGAR
INDUSTRIES, INC.

3600 Cougar Drive,
Peru, Illinois 61354-9336

Toll Free: 800-262-2106
Phone: 815-224-1200
Fax: 815-224-1241

www.cougarindustries.com

Form SB-CONC-001b