

Electric Vibrators

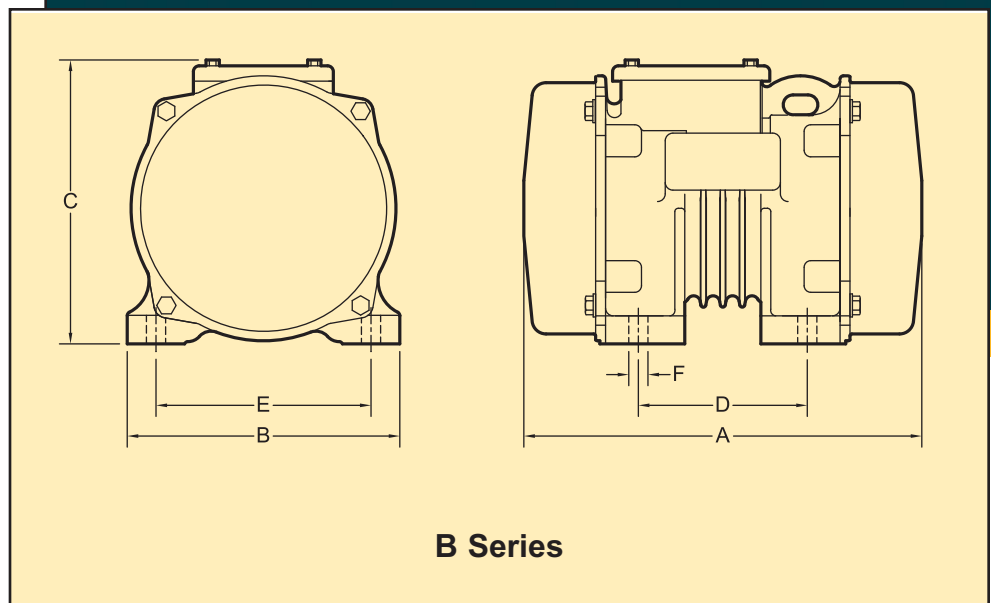
B-Series Single Phase

COUGAR



DIMENSIONS (Millimeters)

Model	A	B	C	Bolt Pattern		Bolt Size	Weight kg
				D	E	F	
B1-237-0A-2	219	125	135	60 - 75	106	8	5.60
B1-500-1A-2	295	197	213	127	152	12	18.60
B1-1000-1A-2	295	197	213	127	152	12	19.50
B1-2500-2A-2	330	227	238	140	178	16	24.90
B1-550-1A-4	295	197	211	5	152	12	20.00
B1-1000-1A-4	295	197	211	127	152	12	21.30
B1-2300-2A-4	375	227	237	6	178	16	31.80
B1-500-2A-6	330	227	237	140	178	16	27.20



PERFORMANCE DATA

Model	kg cm	RPM	Force (N)	watts
B1-237-0A-2	0.99	3600	974	8
B1-500-1A-2	1.73	3450	1566	246
B1-1000-1A-2	3.45	3450	3133	246
B1-2500-2A-2	8.52	3450	7727	559
B1-550-1A-4	7.25	1750	1696	186
B1-1000-1A-4	13.24	1750	3097	246
B1-2300-2A-4	30.52	1750	7136	559
B1-500-2A-6	14.85	1170	1549	186

*For the mounting
and operation
instructions on
Electric Vibrators
see our form 710*



COUGAR
INDUSTRIES, INC.®

3600 Cougar Drive,
Peru, Illinois 61354-9336

Toll Free: 800-262-2106
Phone: 815-224-1200
Fax: 815-224-1241

www.cougarindustries.com

Form TB-B1-001b